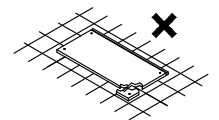
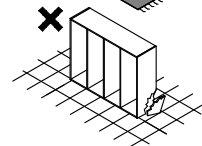
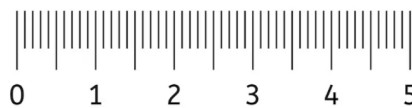
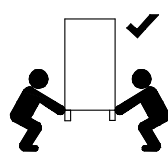
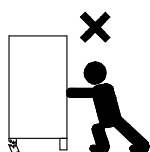
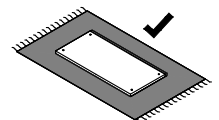
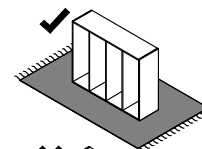
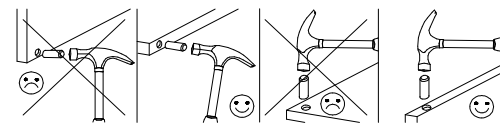
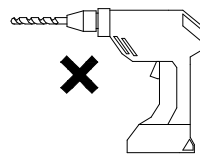
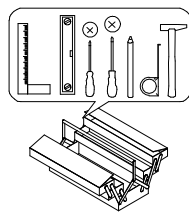
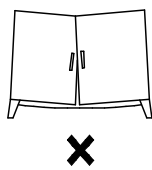
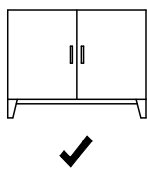
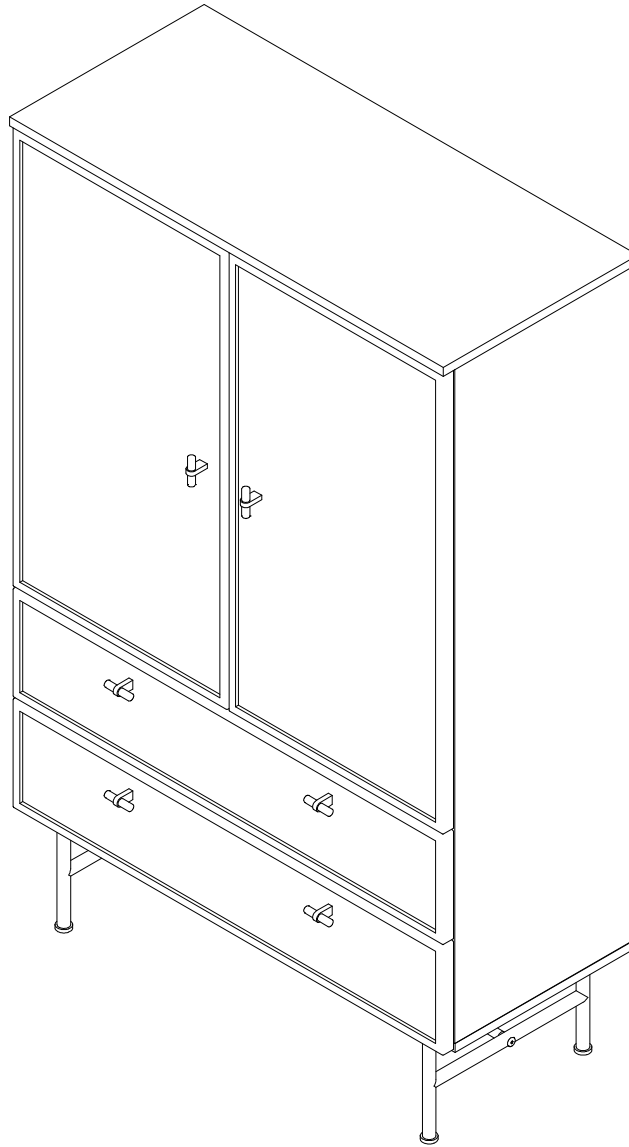
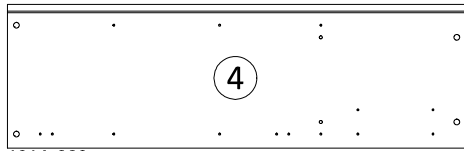


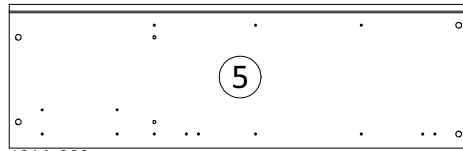
# ELORA

## R-5

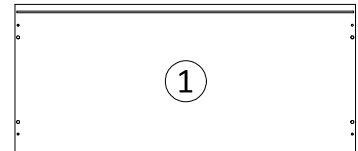




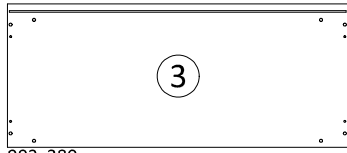
1214x380



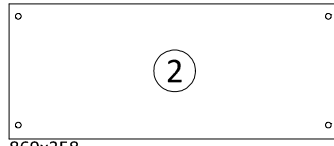
1214x380



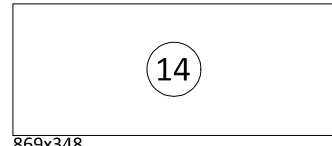
902x405



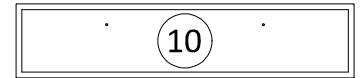
902x380



869x358

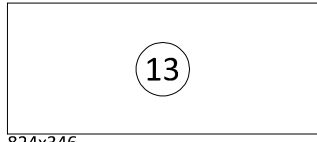


869x348

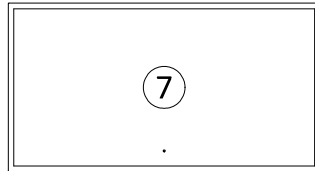


895x196

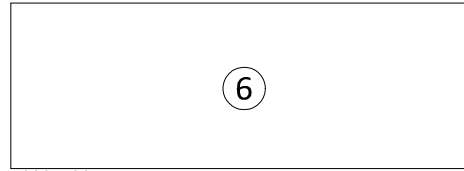
811x140



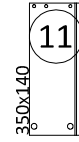
824x346



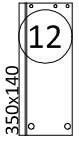
826x446



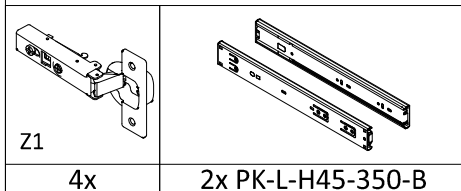
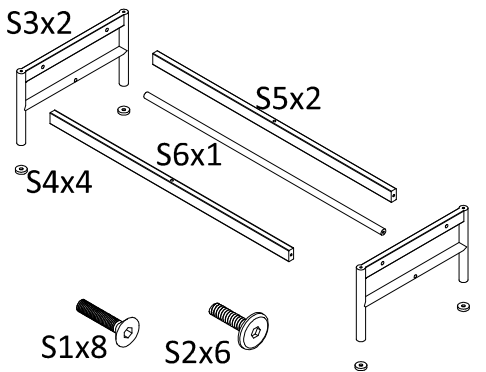
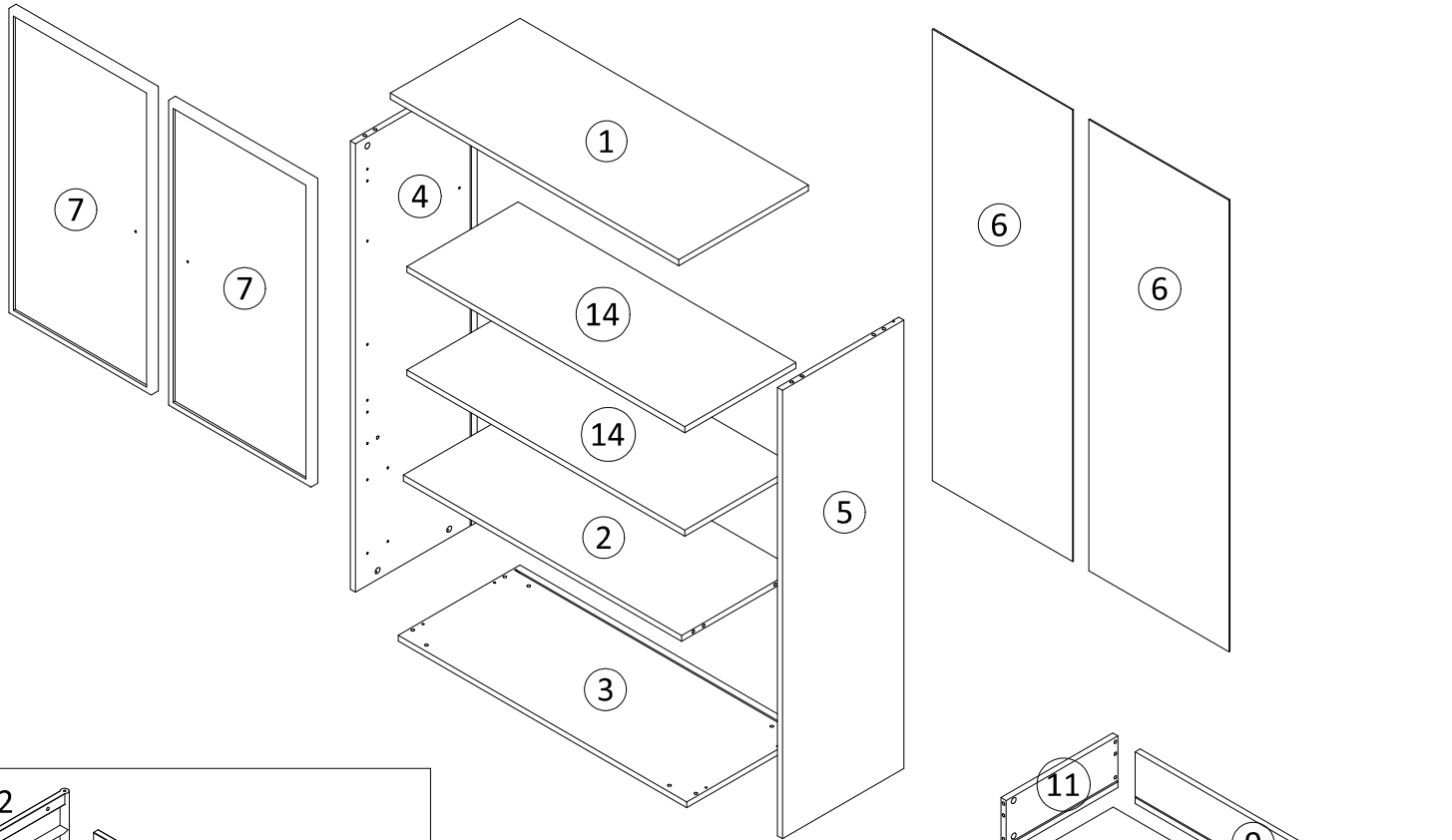
1222x438



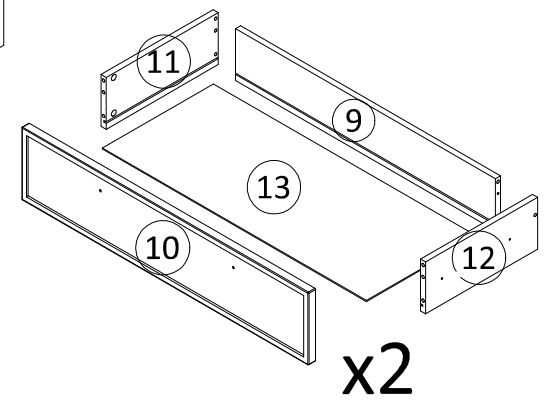
350x140











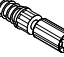
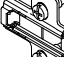


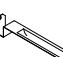



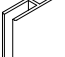


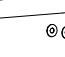
350x140



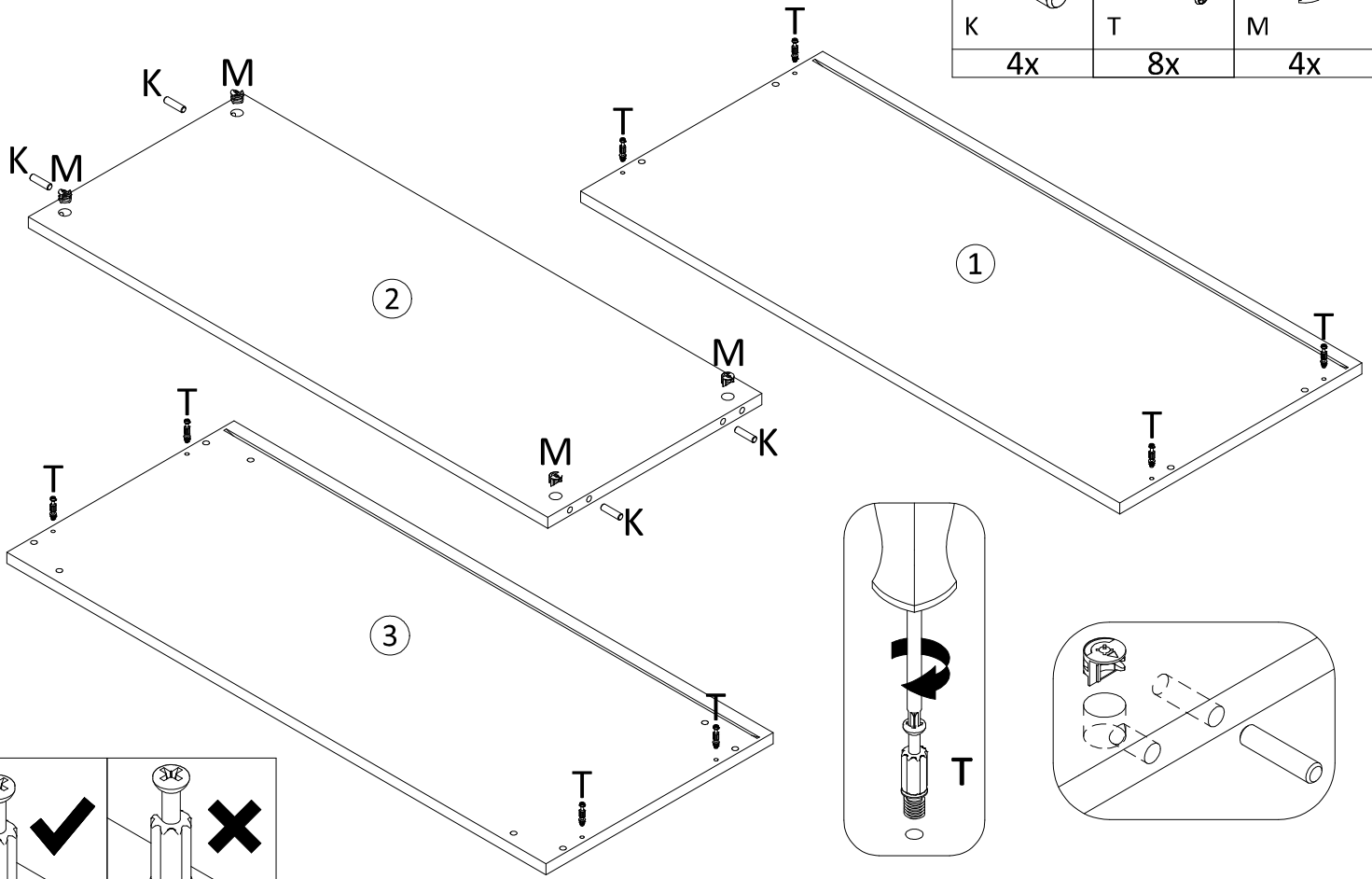
4x      2x PK-L-H45-350-B



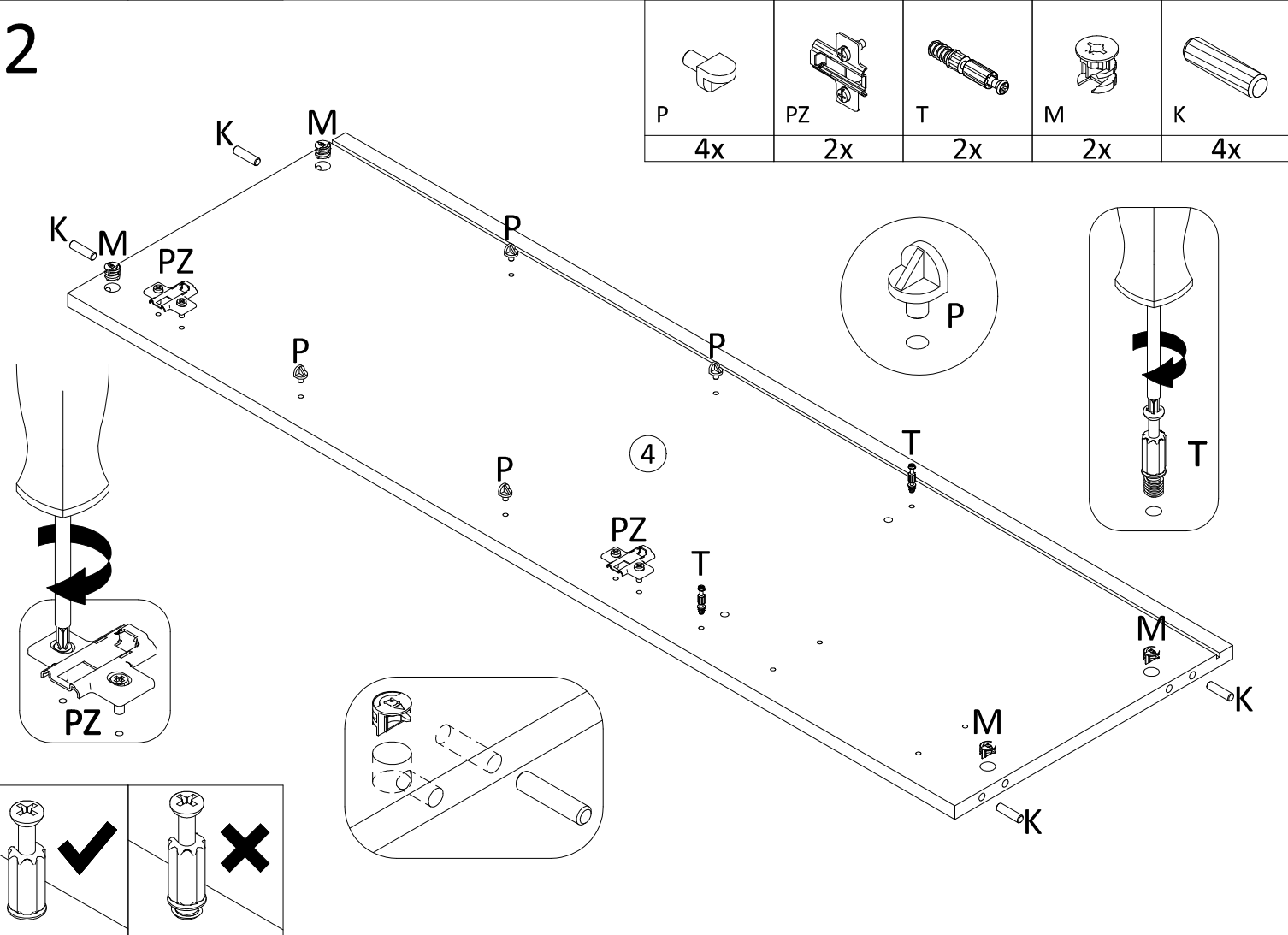
x2

 E1	 E2	 W1	 W2	 W7	 KF	 K	 M	 T	 PZ
8x	8x	4x	16x	2x	4x	24x	20x	20x	4x
 U	 KL	 WS	 P	 ZK	 ZM	 H	 S	 G	 PS
6x	1x	2x	8x	4x	20x	1x	8x	9x	1x

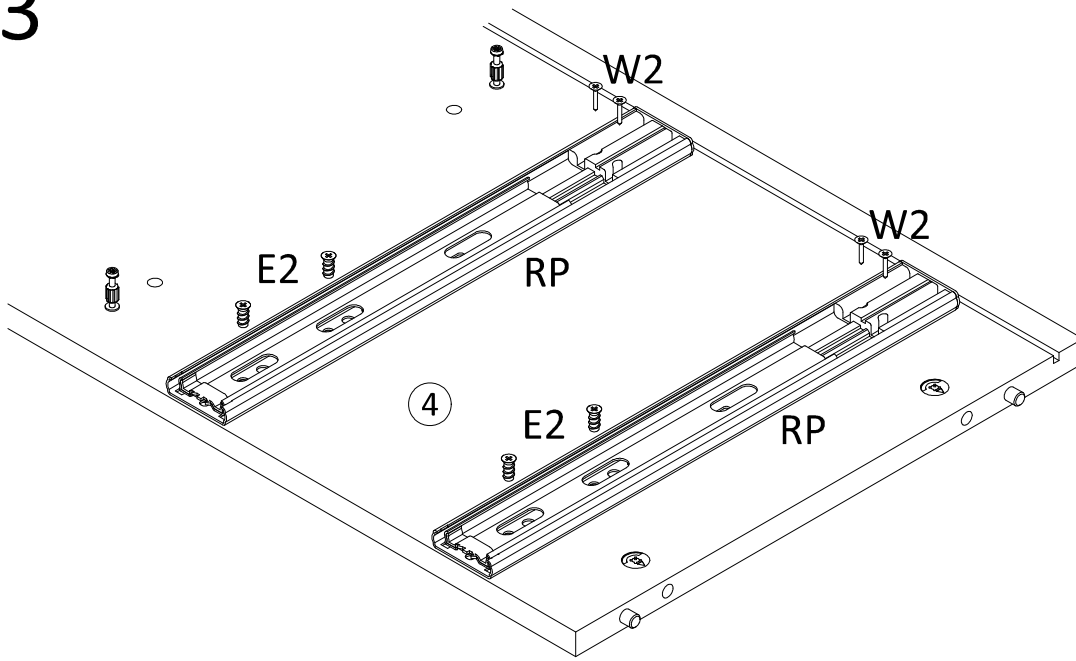
# 1



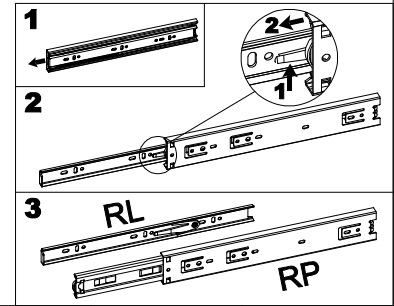
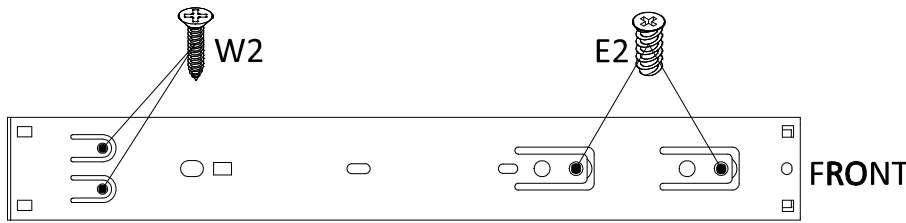
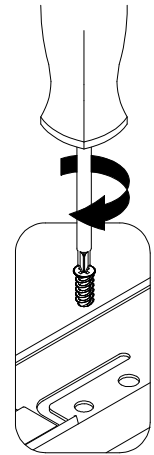
# 2



# 3

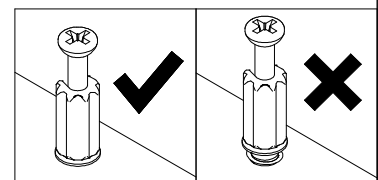
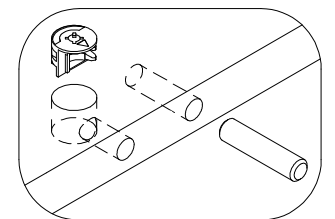
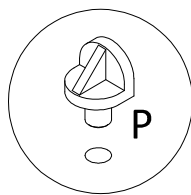
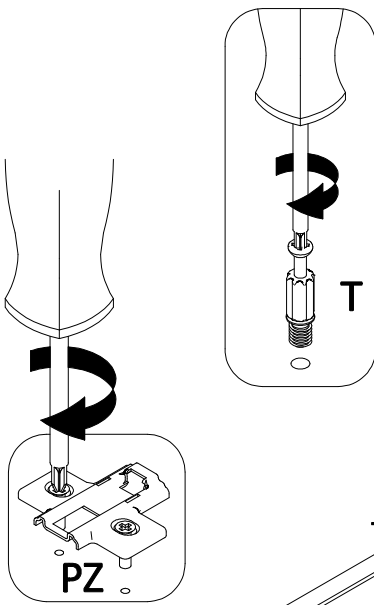
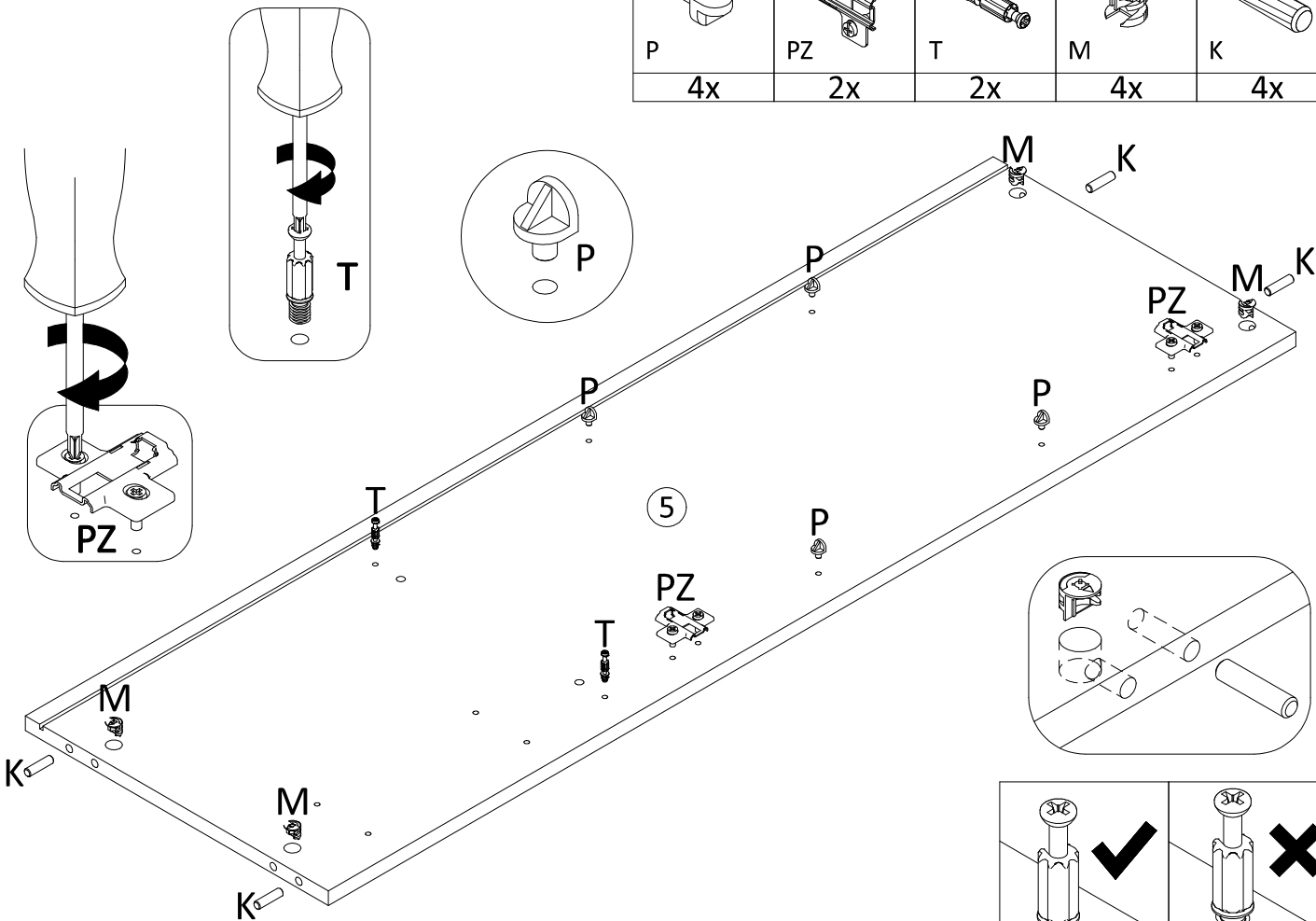


W2	E2
4x	4x

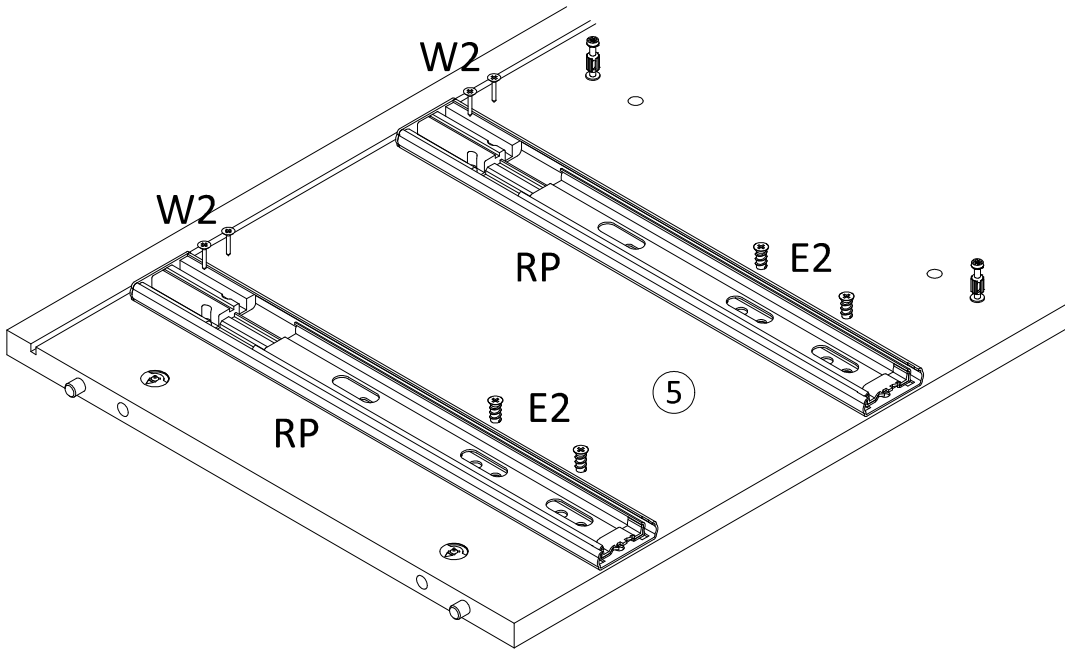




# 4

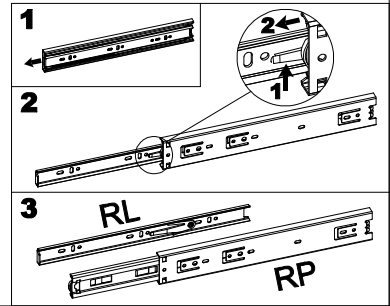
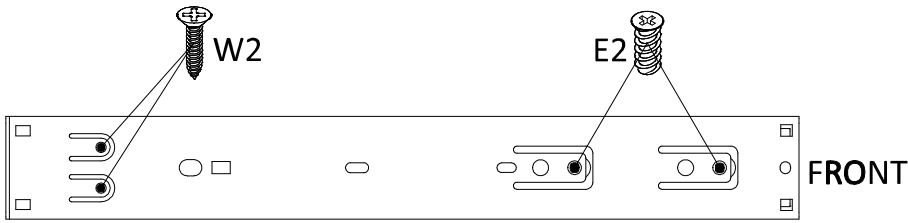
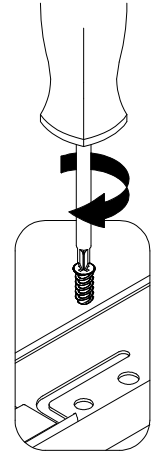
P	PZ	T	M	K
4x	2x	2x	4x	4x



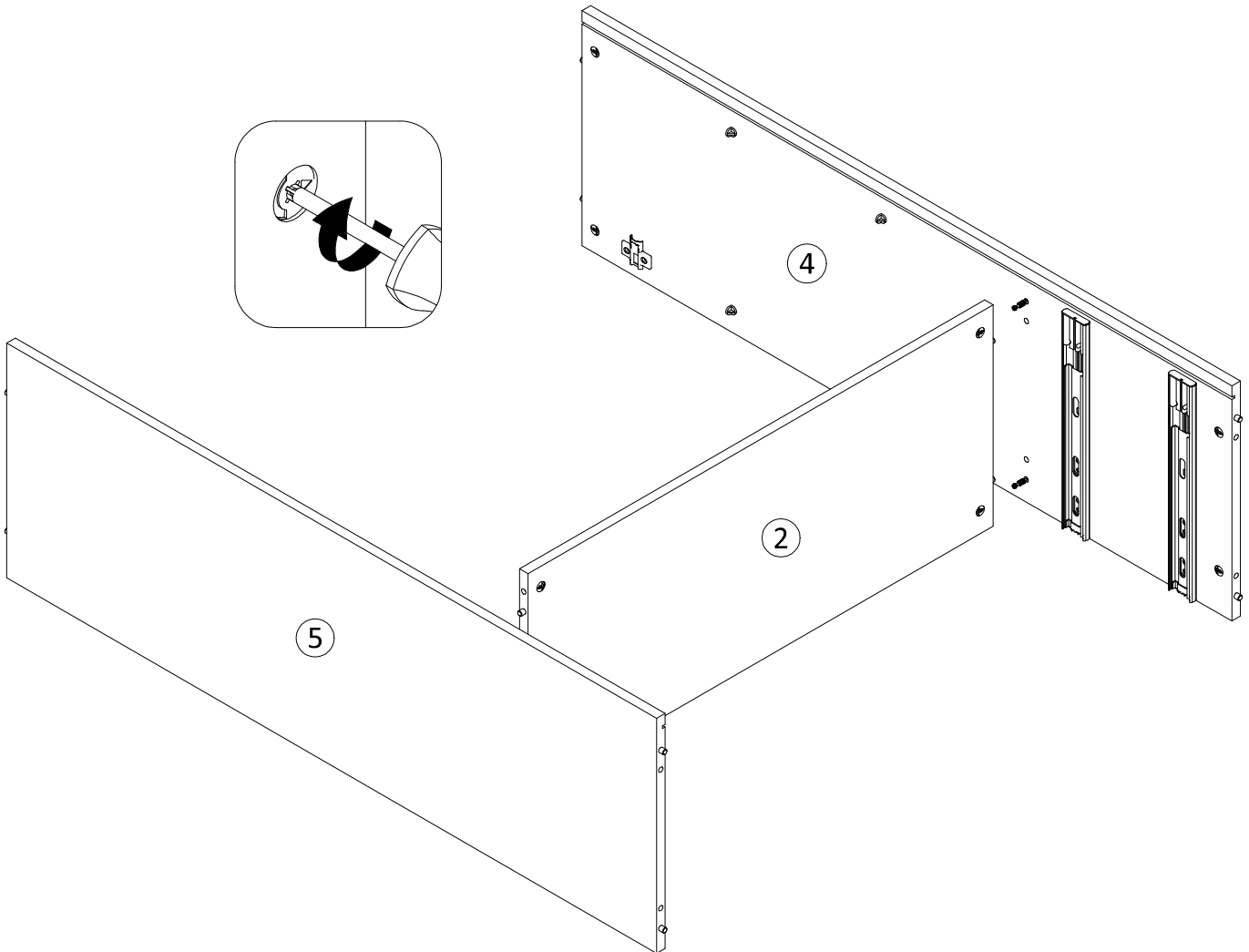
# 5



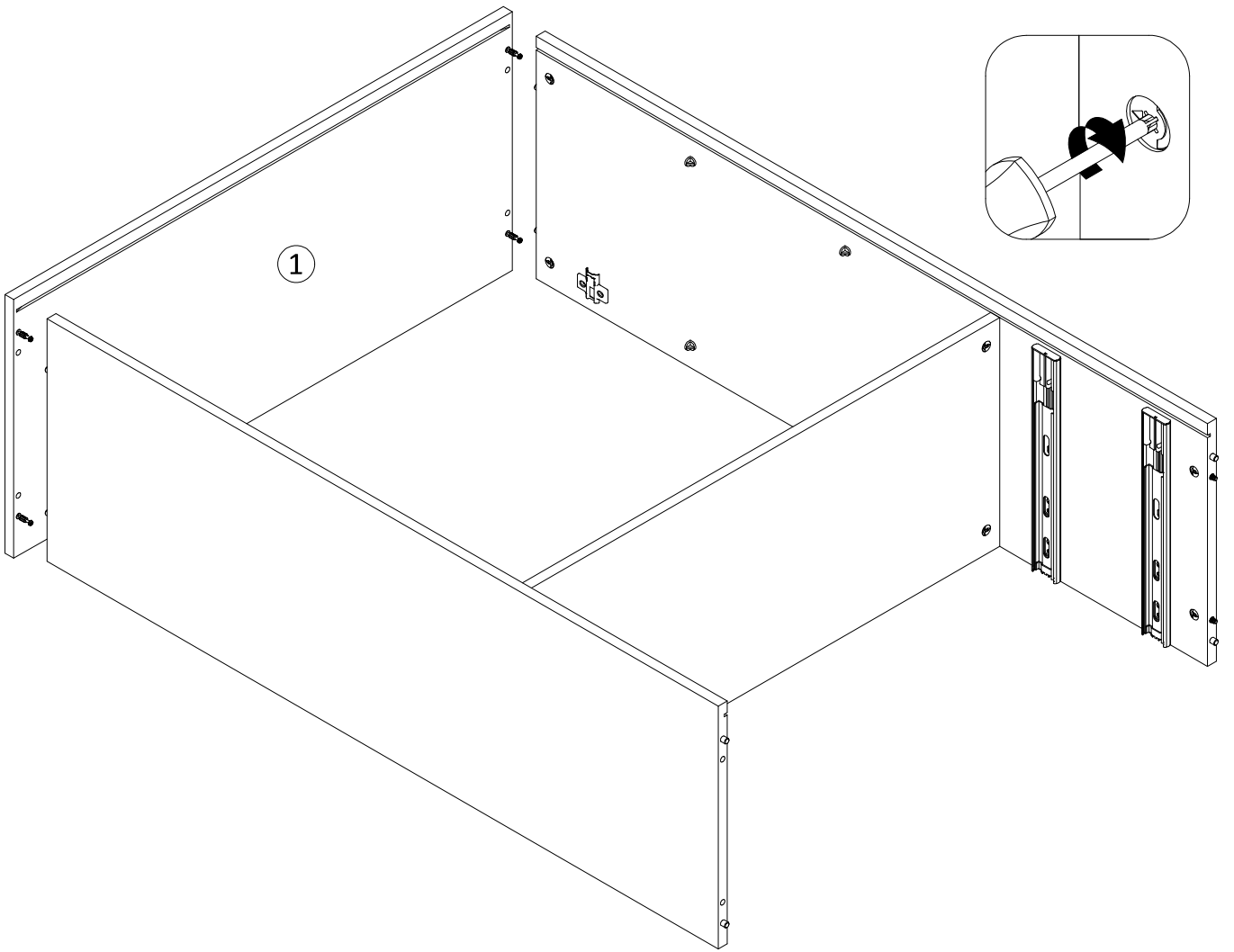
	
W2	E2
4x	4x



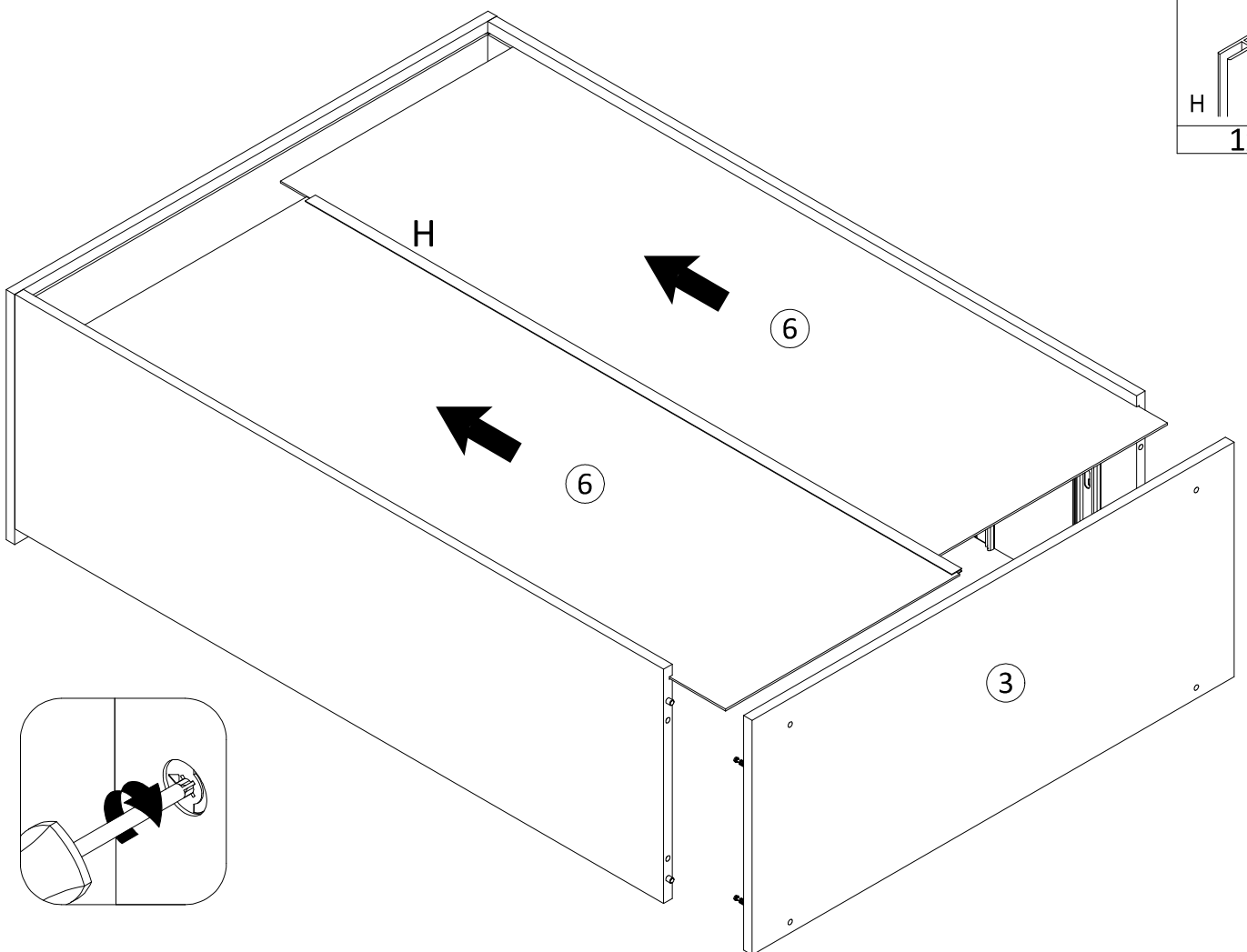
# 6





7

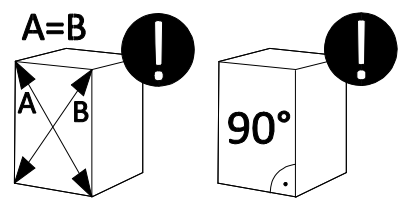
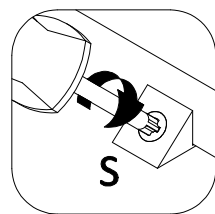
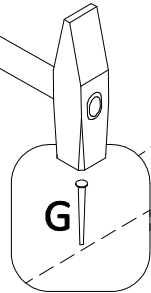
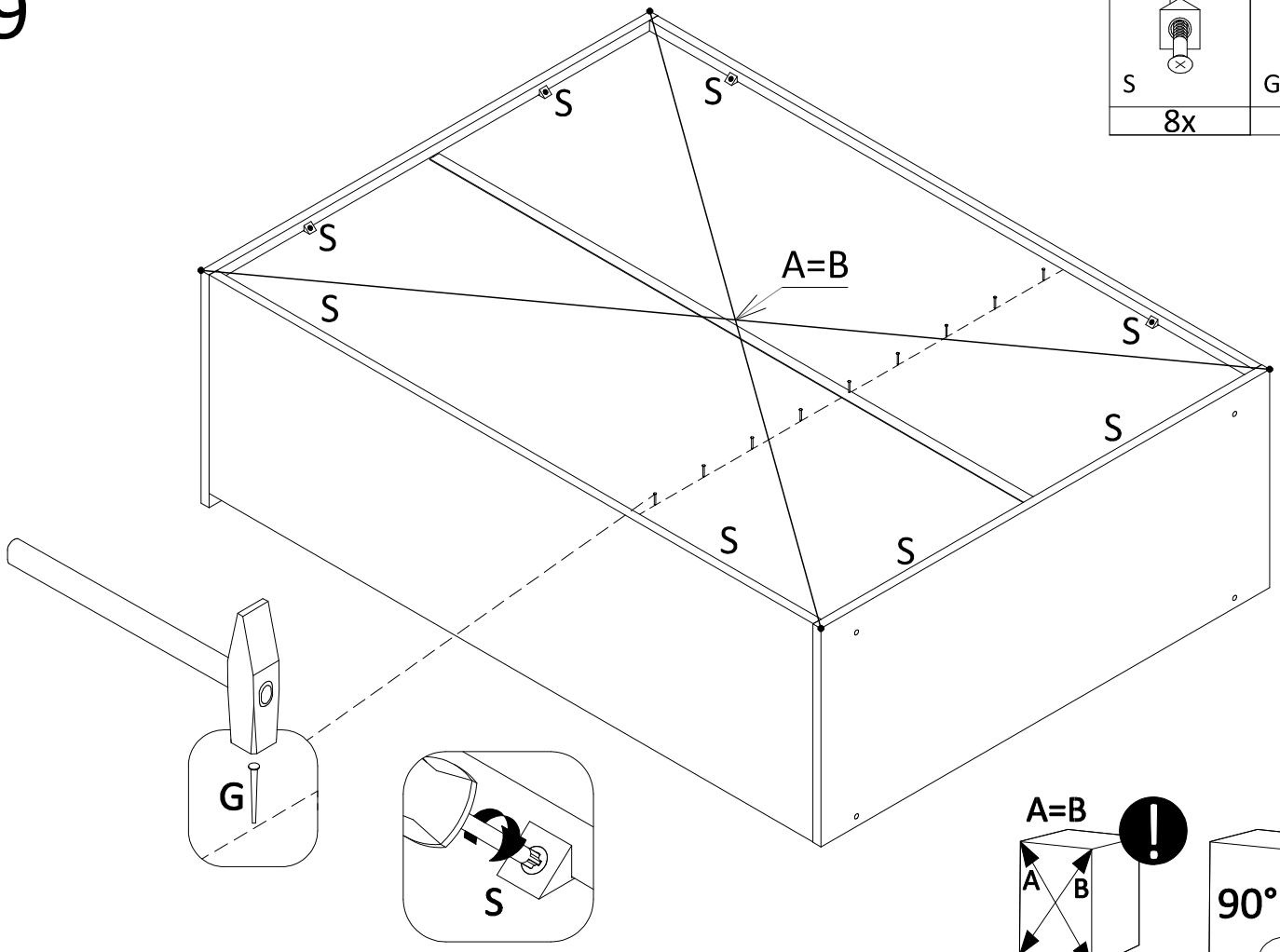


8

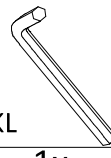
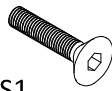
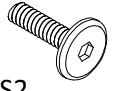


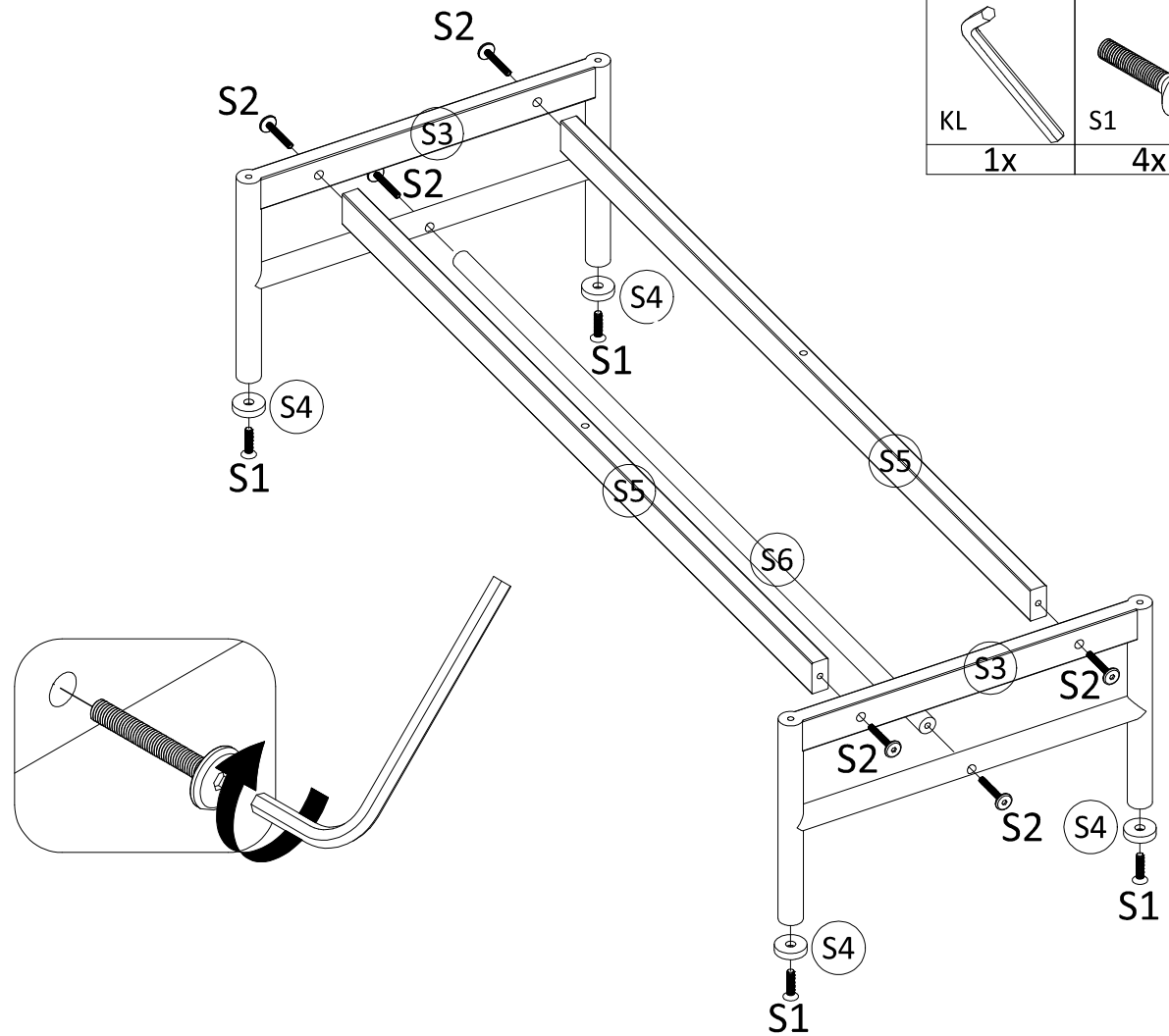
# 9

	
S	G
8x	9x

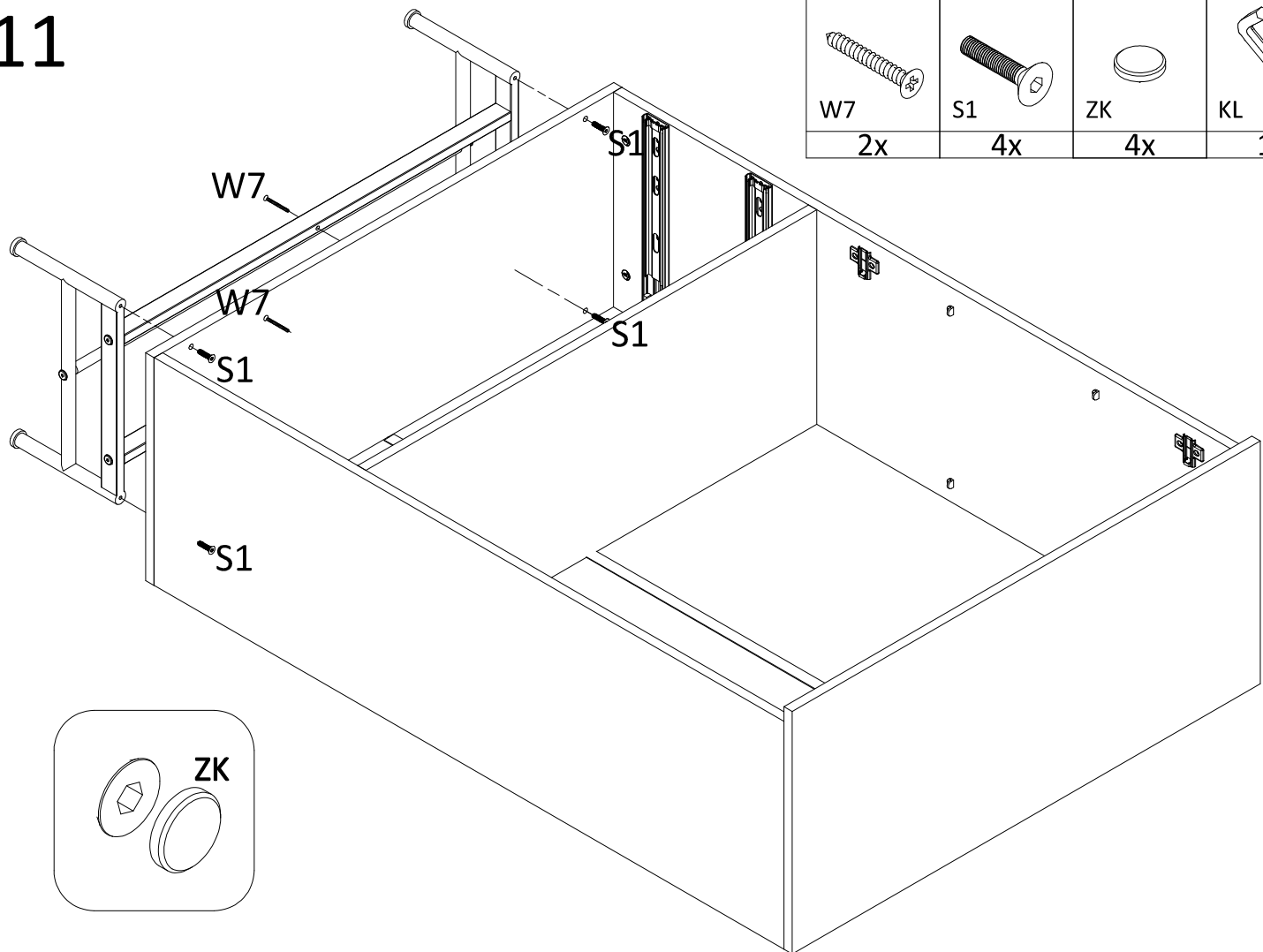


# 10

		
KL	S1	S2
1x	4x	6x



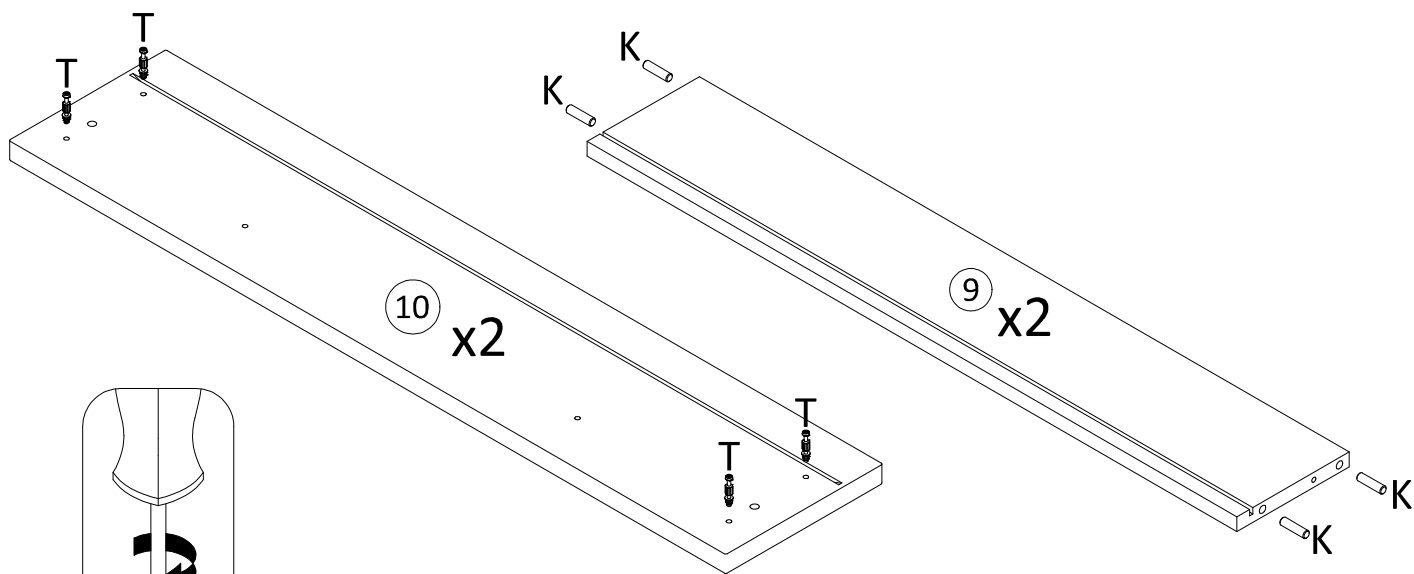
# 11



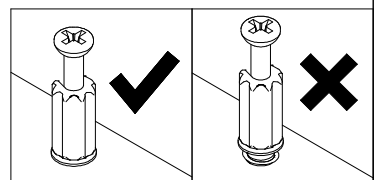
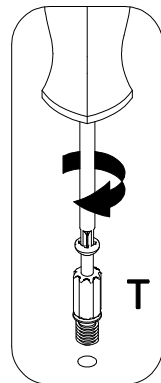
W7	S1	ZK	KL
2x	4x	4x	1x



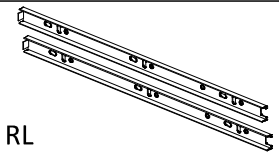


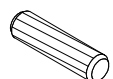
# 12

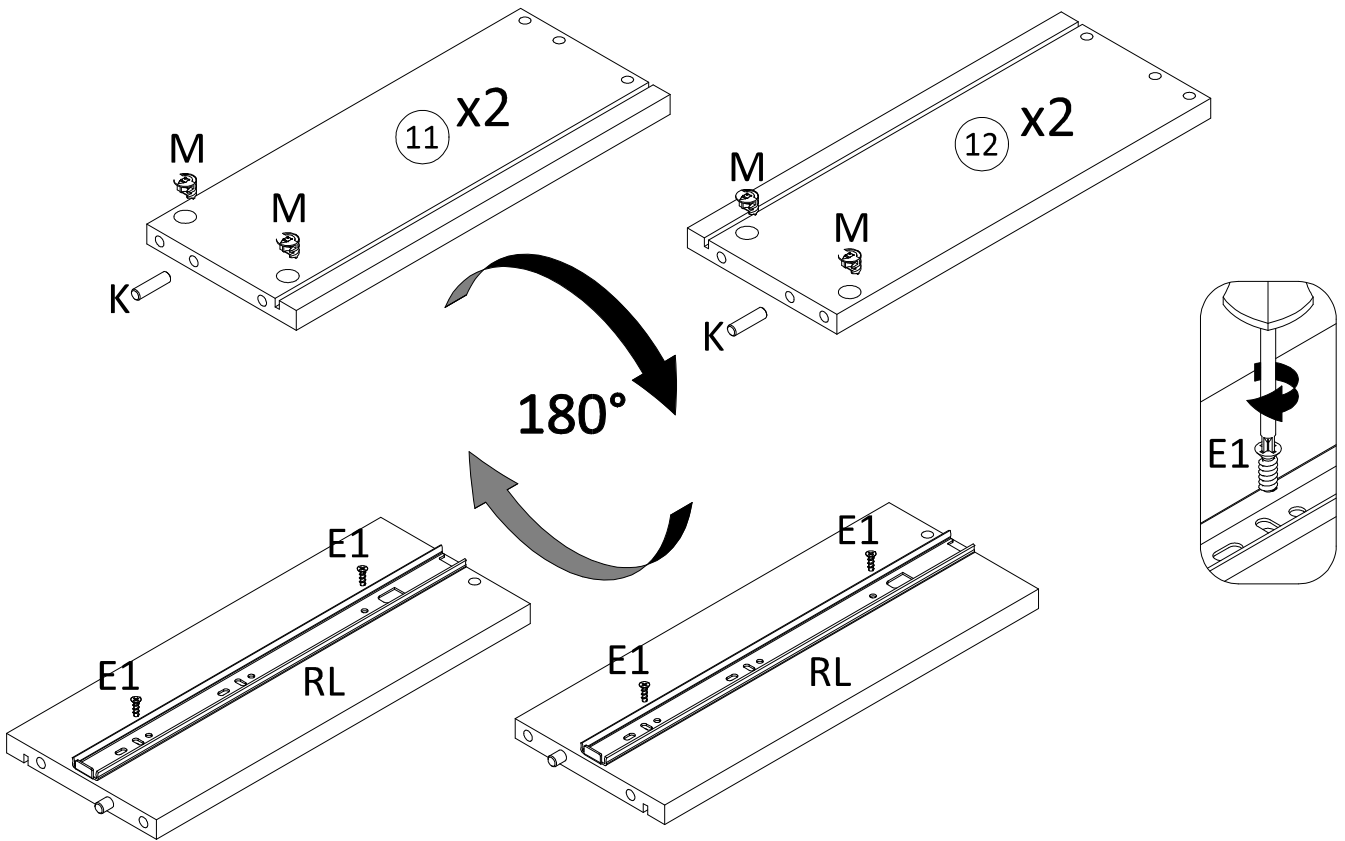


T	K
8x	8x

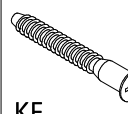
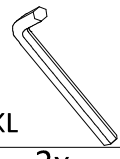


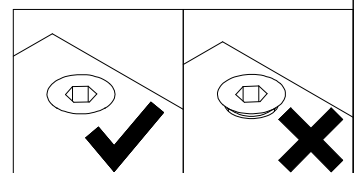
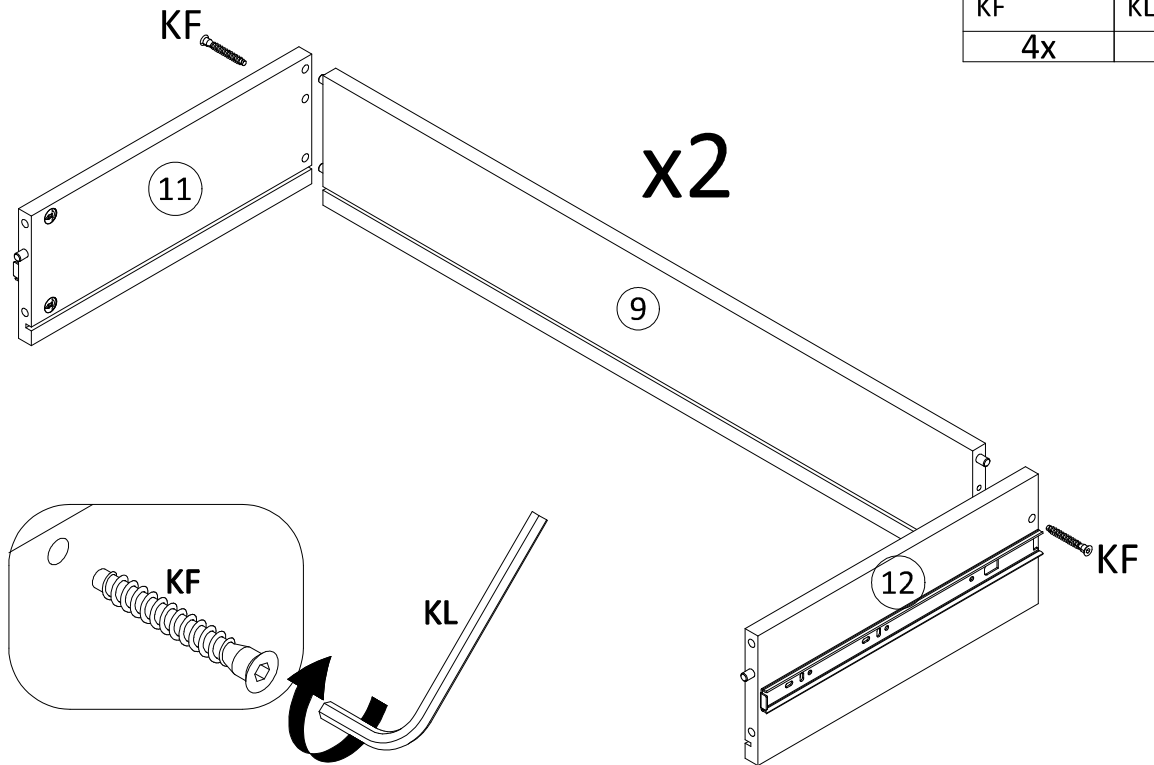
# 13

			
RL	E1	M	K
2x	8x	8x	4x

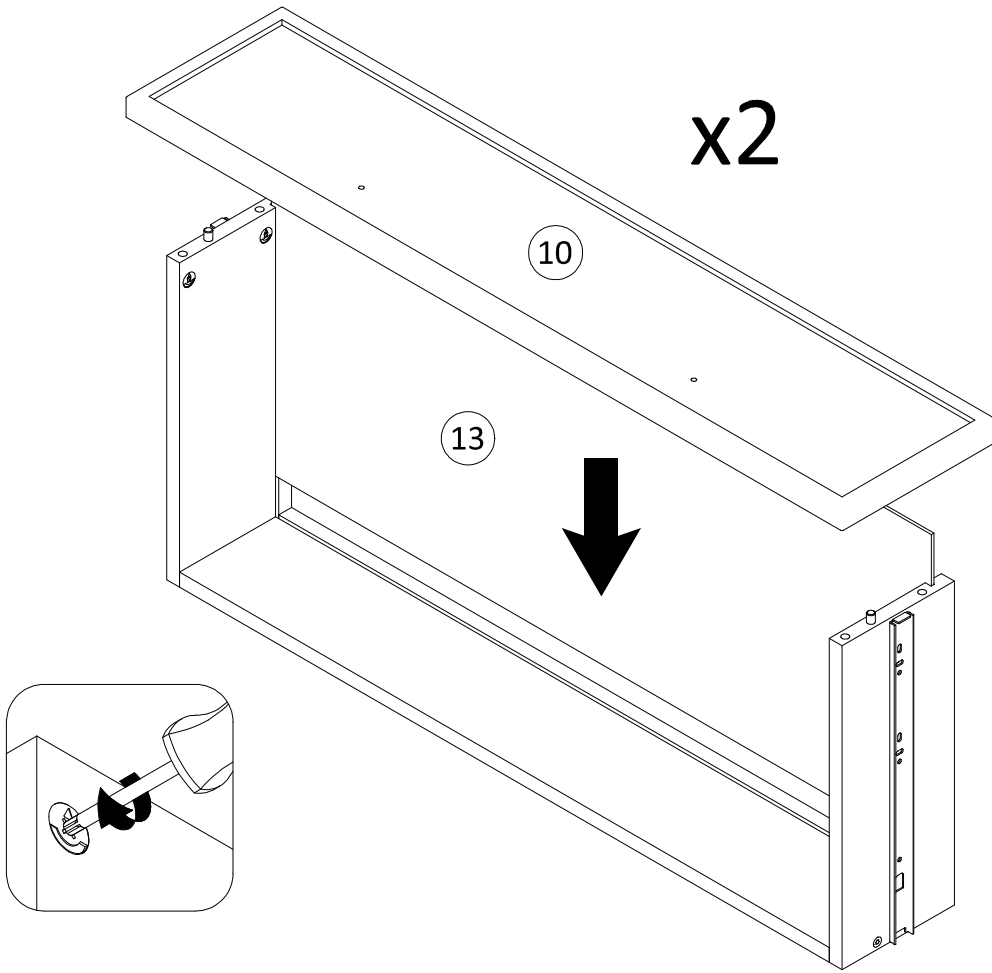


# 14

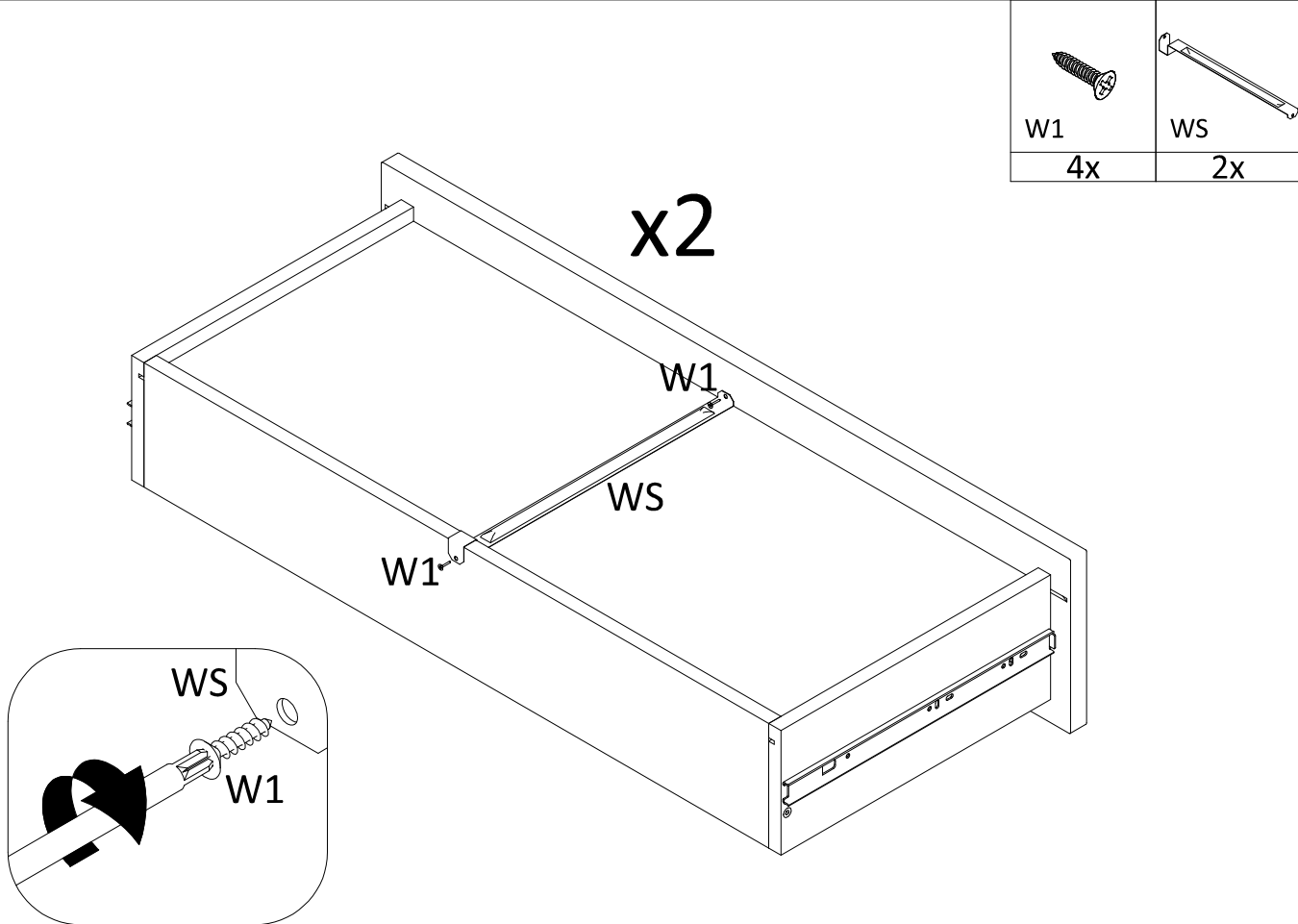
	
KF	KL
4x	2x



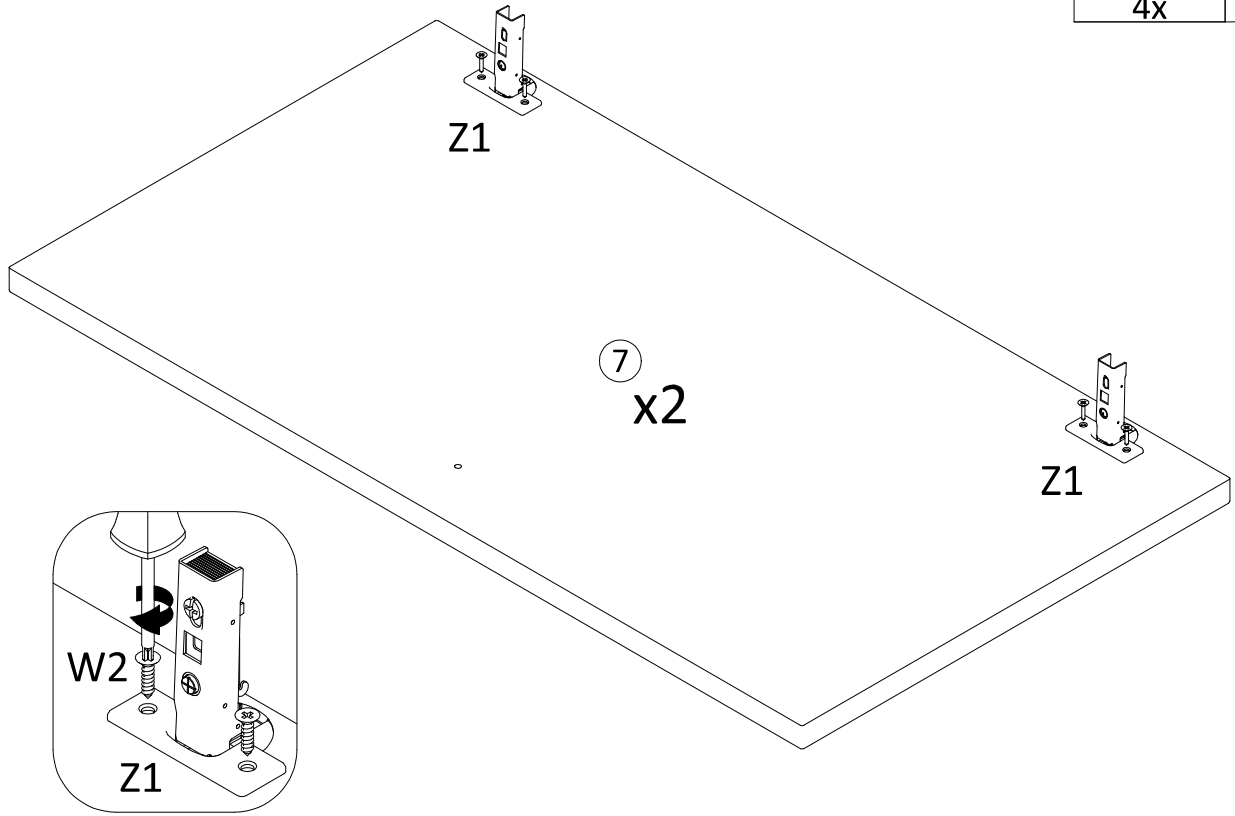
15



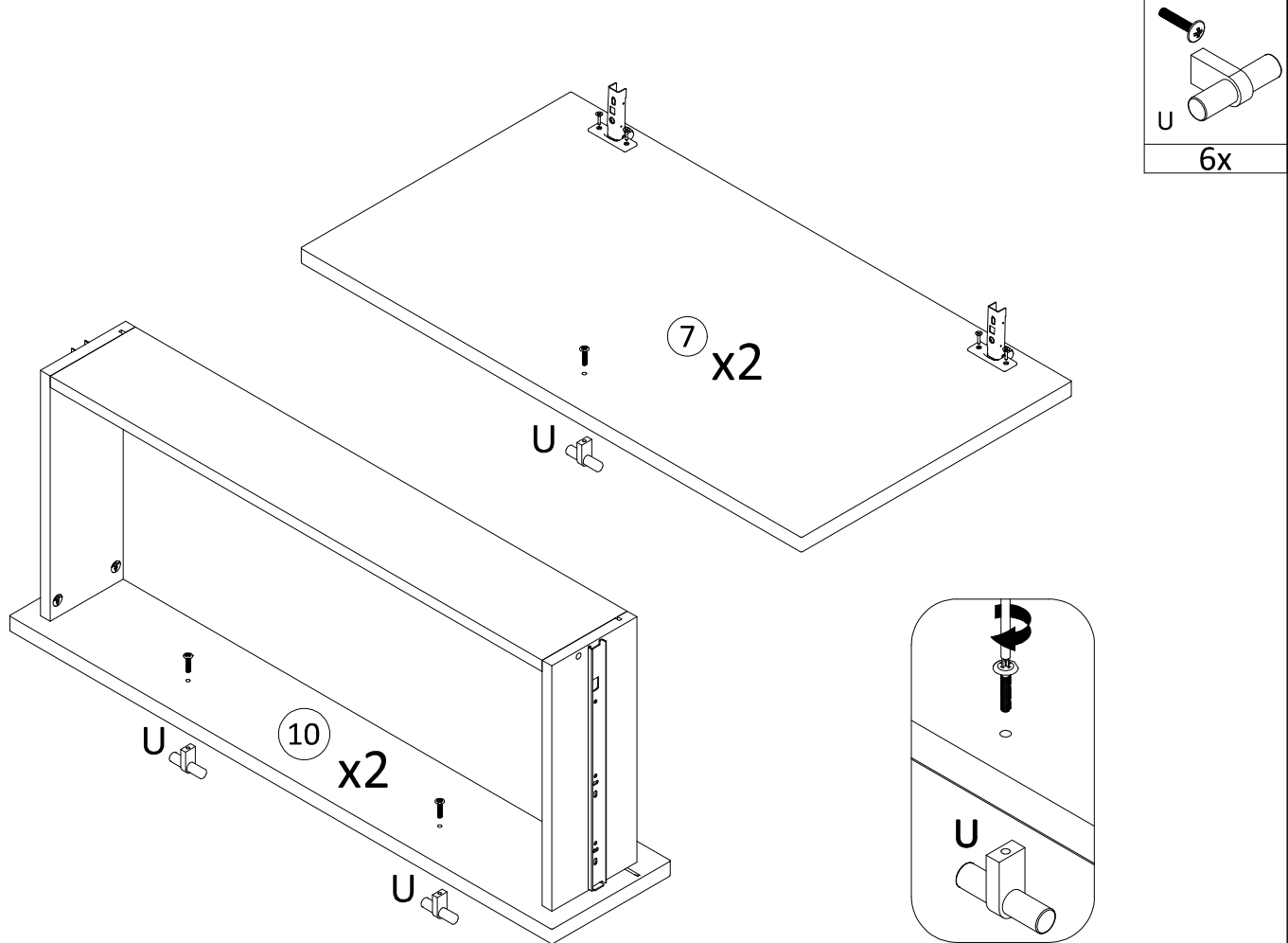
16



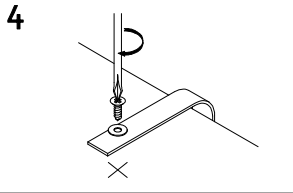
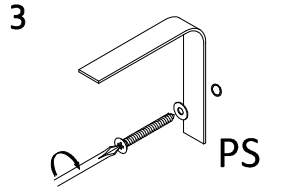
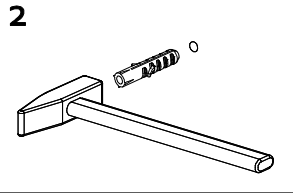
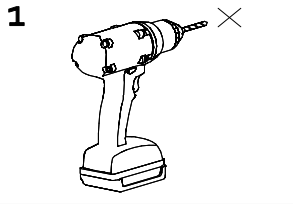
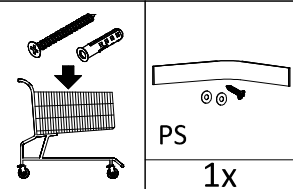
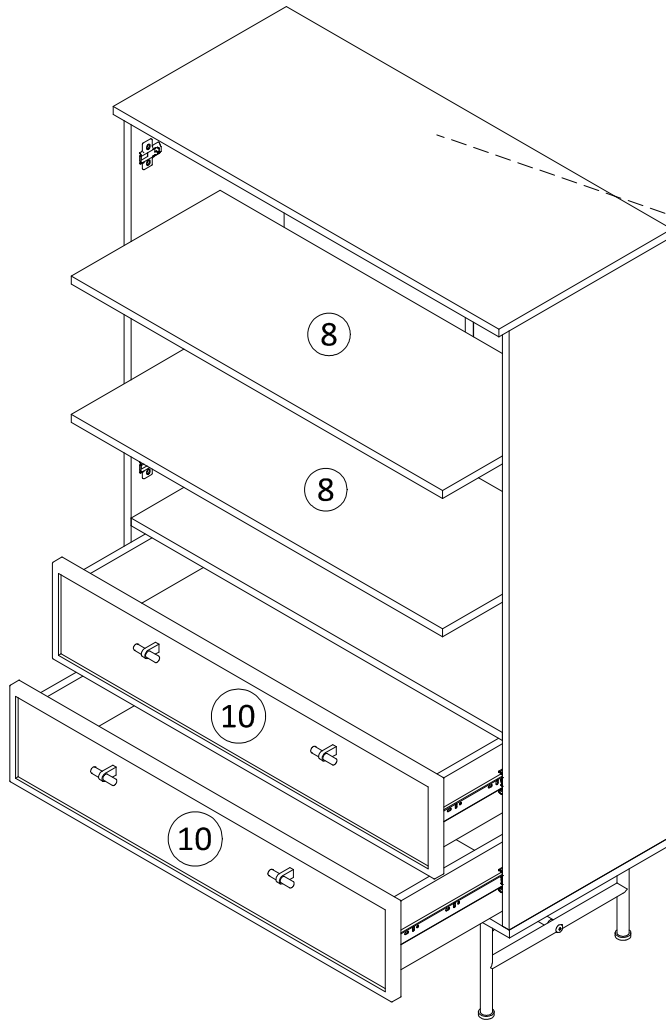
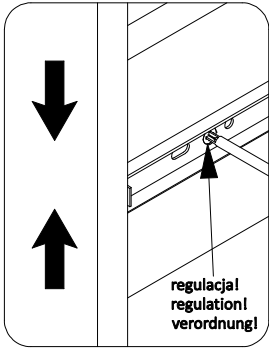
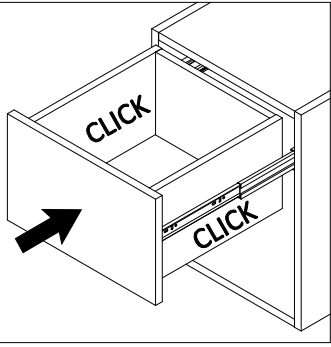
# 17



# 18



# 19



# 20

